



# Wide-Temperature, Precision INSTRUMENTATION AMPLIFIER

## FEATURES

- **PRECISION**
  - LOW OFFSET: 100 $\mu$ V (max)
  - LOW OFFSET DRIFT: 0.4 $\mu$ V/ $^{\circ}$ C (max)
  - EXCELLENT LONG-TERM STABILITY
  - VERY-LOW 1/f NOISE
- **SMALL SIZE**
  - micro*PACKAGE: MSOP-8, MSOP-10
- **LOW COST**

## APPLICATIONS

- LOW-LEVEL TRANSDUCER AMPLIFIER FOR BRIDGES, LOAD CELLS, THERMOCOUPLES
- WIDE DYNAMIC RANGE SENSOR MEASUREMENTS
- HIGH-RESOLUTION TEST SYSTEMS
- WEIGH SCALES
- MULTI-CHANNEL DATA ACQUISITION SYSTEMS
- MEDICAL INSTRUMENTATION
- AUTOMOTIVE APPLICATIONS
- GENERAL-PURPOSE

## DESCRIPTION

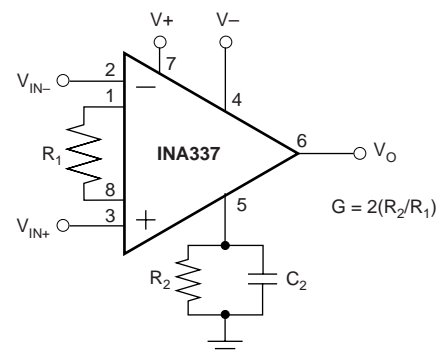
The INA337 and INA338 (with shutdown) are high temperature, high-performance, low-cost, precision instrumentation amplifiers. They are true single-supply instrumentation amplifiers with very-low DC errors and input common-mode ranges that extends beyond the positive and approaches the negative rail. These features make them suitable for applications ranging from general-purpose to high-accuracy.

Excellent long-term stability and very low 1/f noise assure low offset voltage and drift throughout the life of the product.

The INA337 (without shutdown) comes in the MSOP-8 package. The INA338 (with shutdown) is offered in MSOP-10. Both are specified over the temperature range,  $-40^{\circ}$ C to  $+125^{\circ}$ C.

## INA337 AND INA338 RELATED PRODUCTS

PRODUCT	FEATURES
INA326	Precision, Rail-to-Rail I/O, 2.4mA I <sub>Q</sub>
INA114	50 $\mu$ V V <sub>OS</sub> , 0.5nA I <sub>B</sub> , 115dB CMR, 3mA I <sub>O</sub> , 0.25 $\mu$ V/ $^{\circ}$ C drift
INA118	50 $\mu$ V V <sub>OS</sub> , 1nA I <sub>B</sub> , 120dB CMR, 385 $\mu$ A I <sub>O</sub> , 0.5 $\mu$ V/ $^{\circ}$ C drift
INA122	250 $\mu$ V V <sub>OS</sub> , -10nA I <sub>B</sub> , 85 $\mu$ A I <sub>O</sub> , Rail-to-Rail Output, 3 $\mu$ V/ $^{\circ}$ C drift
INA128	50 $\mu$ V V <sub>OS</sub> , 2nA I <sub>B</sub> , 125dB CMR, 750 $\mu$ A I <sub>O</sub> , 0.5 $\mu$ V/ $^{\circ}$ C drift
INA321	500 $\mu$ V V <sub>OS</sub> , 0.5pA I <sub>B</sub> , 94dB CMRR, 60 $\mu$ A I <sub>O</sub> , Rail-to-Rail Output



Please be aware that an important notice concerning availability, standard warranty, and use in critical applications of Texas Instruments semiconductor products and disclaimers thereto appears at the end of this data sheet.

## PACKAGE/ORDERING INFORMATION

PRODUCT	PACKAGE-LEAD	PACKAGE DESIGNATOR <sup>(1)</sup>	SPECIFIED TEMPERATURE RANGE	PACKAGE MARKING	ORDERING NUMBER	TRANSPORT MEDIA, QUANTITY
INA337	MSOP-8	DGK	-40°C to +125°C	BIM	INA337AIDGKT	Tape and Reel, 250
"	"	"	"	"	INA337AIDGKR	Tape and Reel, 2500
INA338	MSOP-10	DGS	-40°C to +125°C	BIL	INA338AIDGST	Tape and Reel, 250
"	"	"	"	"	INA338AIDGSR	Tape and Reel, 2500

NOTE: (1) For the most current specifications and package information, refer to our web site at [www.ti.com](http://www.ti.com).

## ABSOLUTE MAXIMUM RATINGS<sup>(1)</sup>

Supply Voltage .....	+5.5V
Signal Input Terminals: Voltage <sup>(2)</sup> .....	-0.5V to (V+) + 0.5V
Current <sup>(2)</sup> .....	±10mA
Output Short-Circuit .....	Continuous
Operating Temperature Range .....	-40°C to +150°C
Storage Temperature Range .....	-65°C to +150°C
Junction Temperature .....	+150°C
Lead Temperature (soldering, 10s) .....	+300°C

NOTES: (1) Stresses above these ratings may cause permanent damage. Exposure to absolute maximum conditions for extended periods may degrade device reliability. These are stress ratings only, and functional operation of the device at these or any other conditions beyond those specified is not implied. (2) Input terminals are diode clamped to the power-supply rails. Input signals that can swing more than 0.5V beyond the supply rails should be current limited to 10mA or less.

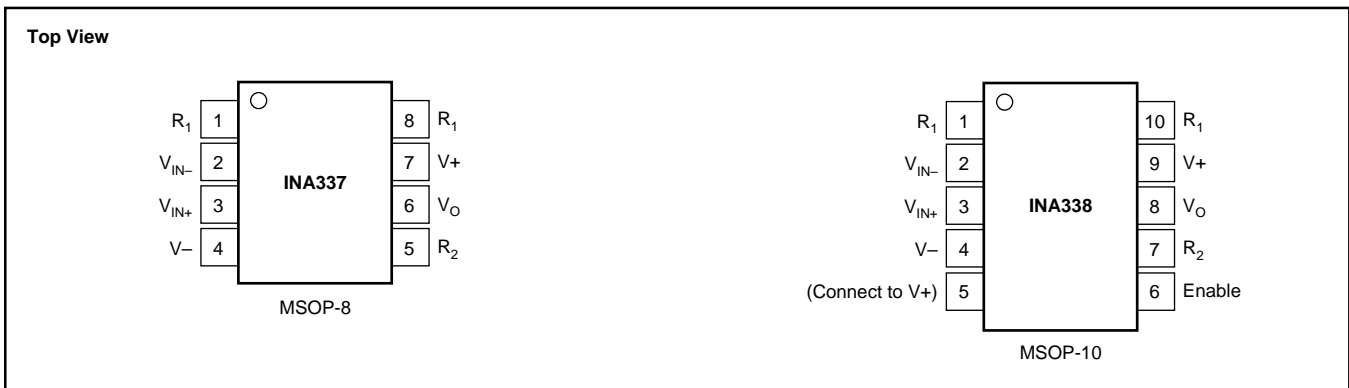


## ELECTROSTATIC DISCHARGE SENSITIVITY

This integrated circuit can be damaged by ESD. Texas Instruments recommends that all integrated circuits be handled with appropriate precautions. Failure to observe proper handling and installation procedures can cause damage.

ESD damage can range from subtle performance degradation to complete device failure. Precision integrated circuits may be more susceptible to damage because very small parametric changes could cause the device not to meet its published specifications.

## PIN CONFIGURATION



# ELECTRICAL CHARACTERISTICS: $V_S = +2.7V$ to $+5.5V$

**BOLDFACE** limits apply over the specified temperature range,  $T_A = -40^{\circ}C$  to  $+125^{\circ}C$

At  $T_A = +25^{\circ}C$ ,  $R_L = 10k\Omega$ ,  $G = 100$  ( $R_1 = 2k\Omega$ ,  $R_2 = 100k\Omega$ ), external gain set resistors, and  $I_{A_{COMMON}} = V_S/2$ , with external equivalent filter corner of 1kHz filters, unless otherwise noted.

PARAMETER	CONDITION	INA337AIDGK, INA338AIDGS			UNITS
		MIN	TYP	MAX	
<b>INPUT</b>					
Offset Voltage, RTI <b>Over Temperature vs Temperature</b> vs Power Supply Long-Term Stability Input Impedance, Differential Common-Mode	$V_{OS}$ $V_S = +5V, V_{CM} = V_S/2$ $dV_{OS}/dT$ $PSR$ $V_S = +2.7V$ to $+5.5V, V_{CM} = V_S/2$		$\pm 20$ $\pm 0.1$ $\pm 3$ See Note (1) $10^{10} \parallel 2$ $10^{10} \parallel 14$	$\pm 100$ <b><math>\pm 140</math></b> <b><math>\pm 0.4</math></b>	$\mu V$ $\mu V$ $\mu V/^{\circ}C$ $\mu V/V$
<b>Input Voltage Range</b> Safe Input Voltage Common-Mode Rejection <b>Over Temperature</b>	$CMR$ $V_S = +5V, V_{CM} = (V-) + 0.25V$ to $(V+) + 0.1V$	<b><math>(V-) + 0.25</math></b> <b><math>(V-) - 0.5</math></b> 106 <b>100</b>	120	<b><math>(V+) + 0.1</math></b> <b><math>(V+) + 0.5</math></b>	$\Omega \parallel pF$ $\Omega \parallel pF$ V V dB dB
<b>INPUT BIAS CURRENT</b>					
Bias Current <b>vs Temperature</b>	$I_B$ $V_{CM} = V_S/2$ $V_S = +5V$		$\pm 0.2$	$\pm 2$	nA
Offset Current	$I_{OS}$ $V_S = +5V$		See Typical Characteristics		nA
<b>NOISE</b>					
Voltage Noise, RTI f = 10Hz f = 100Hz f = 1kHz f = 0.01Hz to 10Hz	$R_S = 0\Omega, G = 100, R_1 = 2k\Omega, R_2 = 100k\Omega$		33 33 33 0.8		$nV/\sqrt{Hz}$ $nV/\sqrt{Hz}$ $nV/\sqrt{Hz}$ $\mu Vp-p$
Voltage Noise, RTI f = 10Hz f = 100Hz f = 1kHz f = 0.01Hz to 10Hz	$R_S = 0\Omega, G = 10, R_1 = 20k\Omega, R_2 = 100k\Omega$		120 97 97 4		$nV/\sqrt{Hz}$ $nV/\sqrt{Hz}$ $nV/\sqrt{Hz}$ $\mu Vp-p$
Current Noise, RTI f = 1kHz f = 0.01Hz to 10Hz			0.15 4.2		$pA/\sqrt{Hz}$ $pAp-p$
Output Ripple, $V_O$ Filtered <sup>(2)</sup>			See Applications Information		
<b>GAIN</b>					
Gain Equation Range of Gain Gain Error <sup>(3)</sup> <b>vs Temperature</b> Nonlinearity	$G = 10, 100, V_S = +5V, V_O = 0.25V$ to $4.925V$ $G = 10, 100, V_S = +5V, V_O = 0.25V$ to $4.925V$ $G = 10, 100, V_S = +5V, V_O = 0.25V$ to $4.925V$	< 0.1	$G = 2(R_2/R_1)$ 0.08 <b><math>\pm 6</math></b> $\pm 0.003$	> 10000 $\pm 0.2$ <b><math>\pm 25</math></b> $\pm 0.01$	V/V % ppm/ $^{\circ}C$ % of FS
<b>OUTPUT</b>					
Voltage Output Swing from Positive Rail <b>Over Temperature</b>	$R_L = 10k\Omega, V_S = 5V$	<b><math>(V+) - 0.075</math></b> <b><math>(V+) - 0.075</math></b>	$(V+) - 0.01$		V V
Voltage Output Swing from Negative Rail <b>Over Temperature</b>	$R_L = 10k\Omega, V_S = 5V$	$(V-) + 0.25$ <b><math>(V-) + 0.25</math></b>	$(V+) + 0.01$		V V
Capacitive Load Drive Short-Circuit Current	$I_{SC}$		500 $\pm 25$		pF mA
<b>INTERNAL OSCILLATOR</b>					
Frequency of Auto-Correction Accuracy			90 $\pm 20$		kHz %
<b>FREQUENCY RESPONSE</b>					
Bandwidth <sup>(4)</sup> , -3dB Slew Rate <sup>(4)</sup> Settling Time <sup>(4)</sup> , 0.1% 0.01% 0.1% 0.01% Overload Recovery <sup>(4)</sup>	$BW$ $SR$ $t_s$ 1kHz Filter, $G = 1$ to $1k, V_O = 2V$ step, $C_L = 100pF$ 10kHz Filter, $G = 1$ to $1k, V_O = 2V$ step, $C_L = 100pF$ 1kHz Filter, 50% Output Overload, $G = 1$ to $1k$ 10kHz Filter, 50% Output Overload, $G = 1$ to $1k$	$G = 1$ to $1k$ $V_S = 5V$ , All Gains, $C_L = 100pF$	1 Filter Limited 0.95 1.3 130 160 30 5		kHz ms ms $\mu s$ $\mu s$ $\mu s$ $\mu s$

# ELECTRICAL CHARACTERISTICS: $V_S = +2.7V$ to $+5.5V$ (Cont.)

**BOLDFACE** limits apply over the specified temperature range,  $T_A = -40^{\circ}C$  to  $+125^{\circ}C$

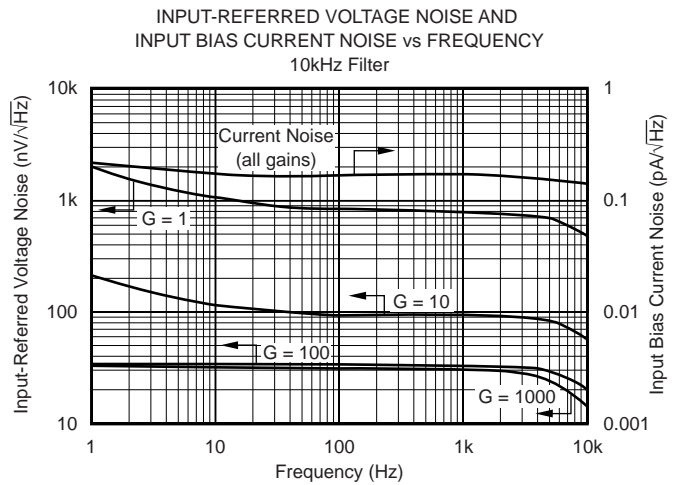
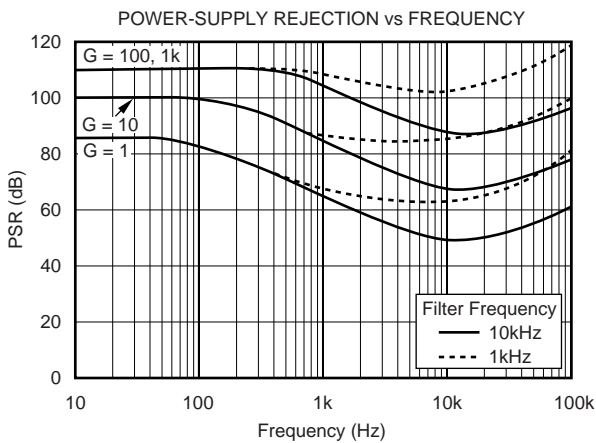
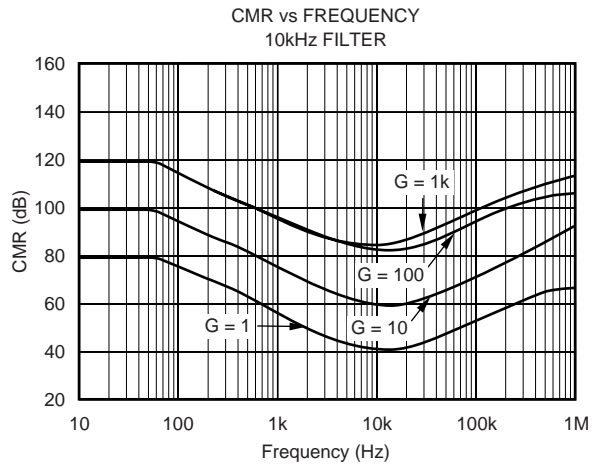
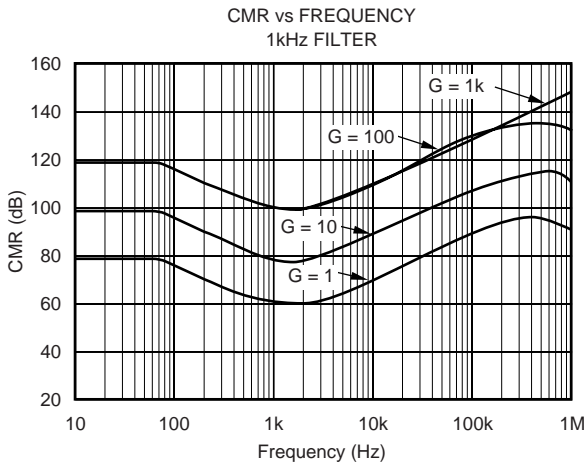
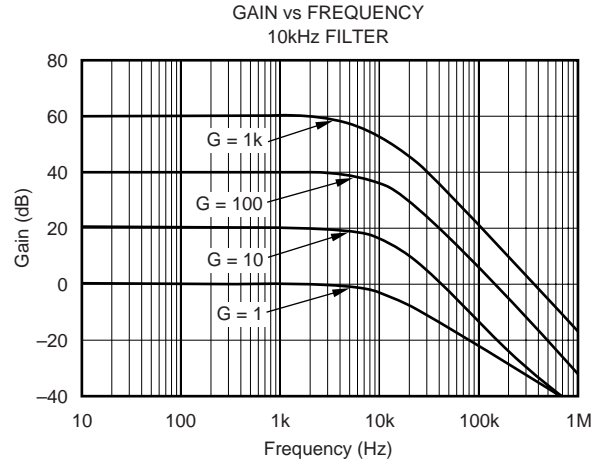
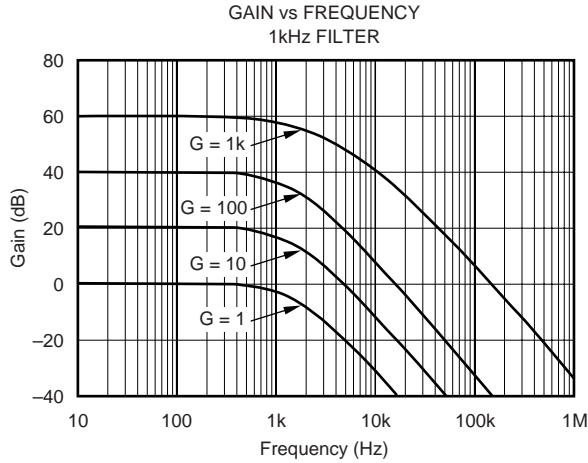
At  $T_A = +25^{\circ}C$ ,  $R_L = 10k\Omega$ ,  $G = 100$  ( $R_1 = 2k\Omega$ ,  $R_2 = 100k\Omega$ ), external gain set resistors, and  $I_{A_{COMMON}} = V_S/2$ , with external equivalent filter corner of 1kHz filters, unless otherwise noted.

PARAMETER	CONDITION	INA337AIDGK, INA338AIDGS			UNITS
		MIN	TYP	MAX	
<b>POWER SUPPLY</b>					
Specified Voltage Range	$I_O = 0$ , Diff $V_{IN} = 0V$ , $V_S = +5V$	+2.7		+5.5	V
Quiescent Current			2.4	3.4	mA
<b>Over Temperature</b>				<b>3.7</b>	<b>mA</b>
<b>SHUTDOWN</b>					
Disable (Logic-Low Threshold)	$V_S = +5V$ , Disabled	1.6		0.25	V
Enable (Logic-High Threshold)					V
Enable Time <sup>(5)</sup>					$\mu s$
Disable Time					75
Shutdown Current and Enable Pin Current					100
		2	5	$\mu A$	
<b>TEMPERATURE RANGE</b>					
Specified Range	$\theta_{JA}$ MSOP-8 Surface-Mount	-40		+125	$^{\circ}C$
Operating Range		-40		+150	$^{\circ}C$
Storage Range		-65		+150	$^{\circ}C$
Thermal Resistance			150		$^{\circ}C/W$

NOTES: (1) 1000-hour life test at  $150^{\circ}C$  demonstrated randomly distributed variation in the range of measurement limits—approximately  $10\mu V$ . (2) See Applications Information section, Figures 1 and 2. (3) Does not include error and TCR of external gain-setting resistors. (4) Dynamic response is limited by filtering. Higher bandwidths can be achieved by adjusting the filter. (5) See Typical Characteristics, "Input Offset Voltage vs Warm-Up Time".

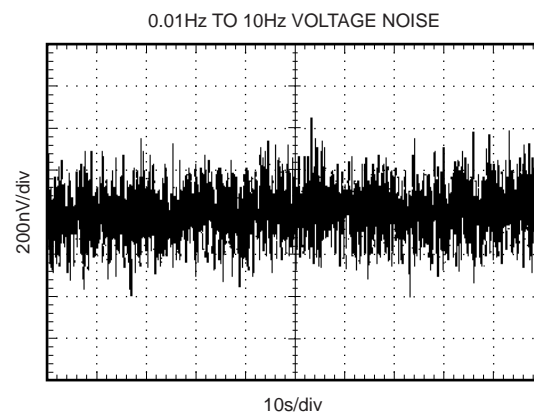
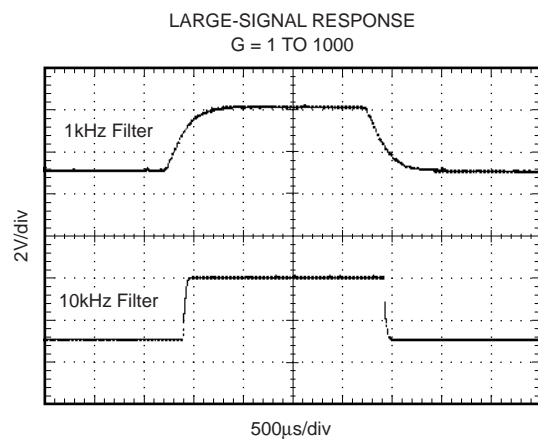
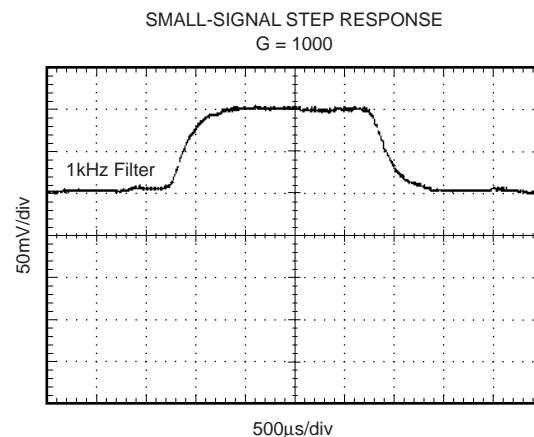
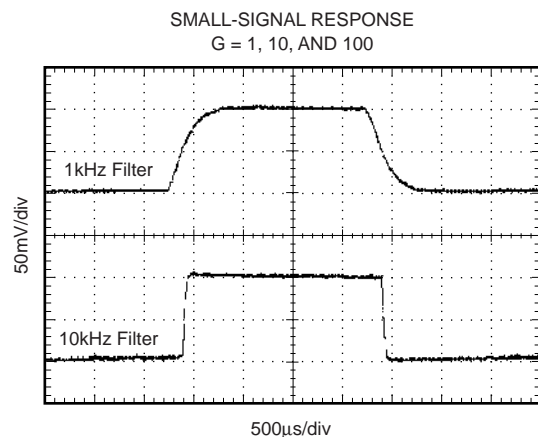
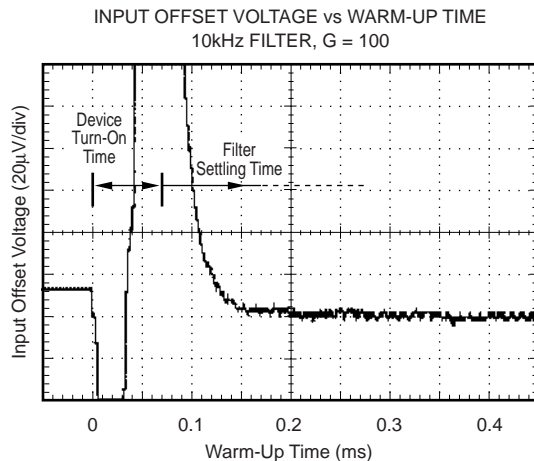
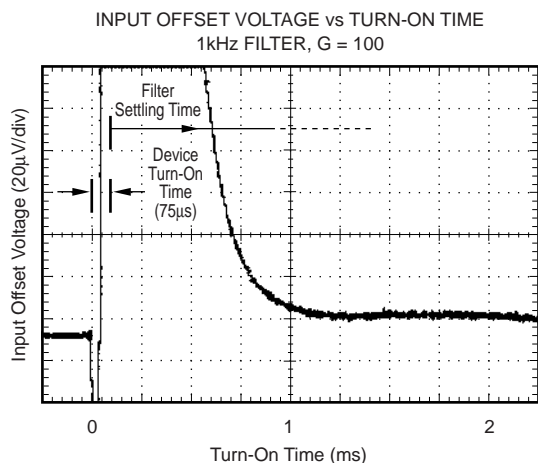
# TYPICAL CHARACTERISTICS

At  $T_A = 25^\circ\text{C}$ ,  $V_S = +5\text{V}$ , Gain = 100,  $R_L = 10\text{k}\Omega$  with external equivalent filter corner of 1kHz filters, unless otherwise noted.



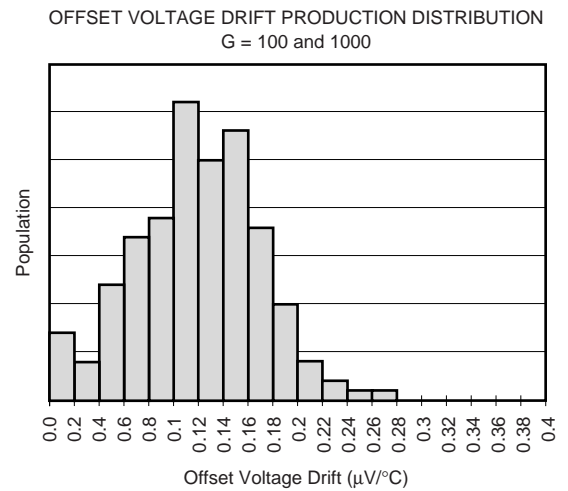
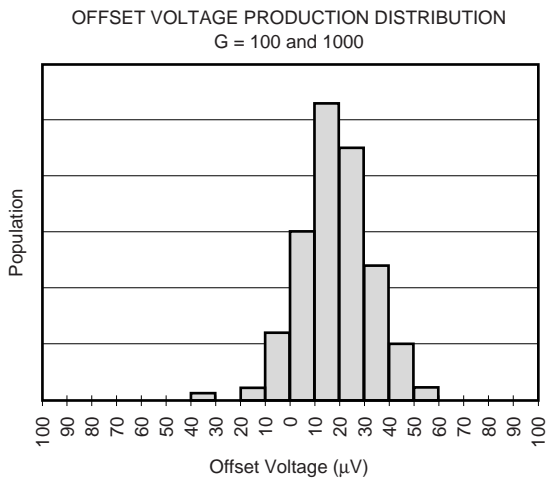
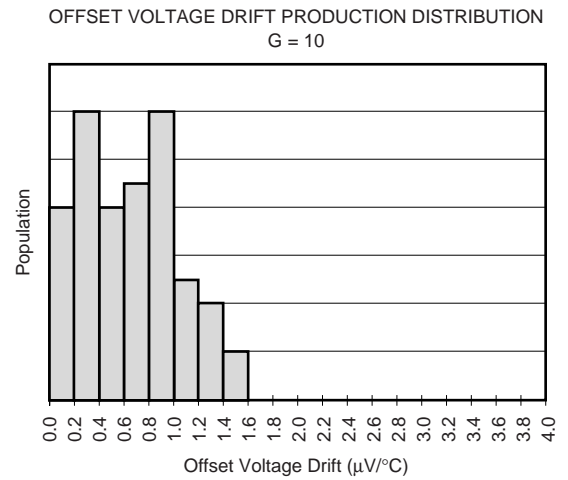
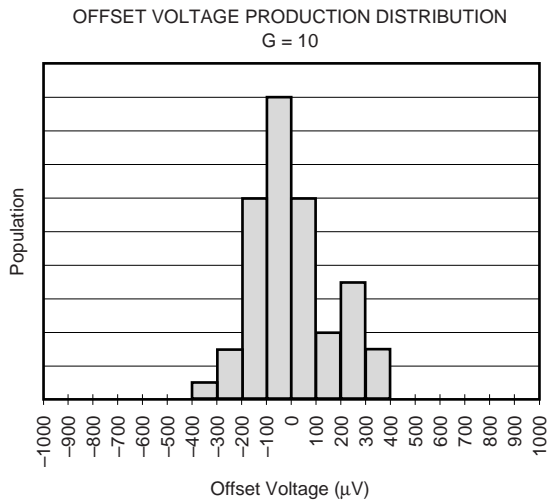
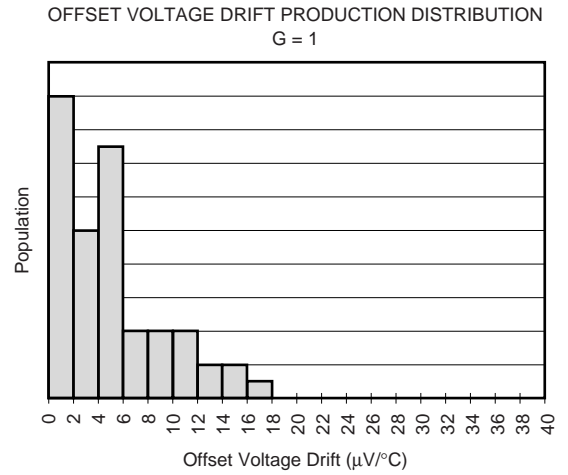
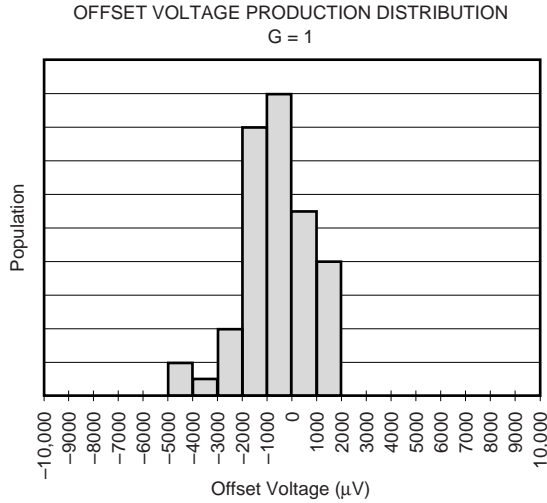
# TYPICAL CHARACTERISTICS (Cont.)

At  $T_A = 25^\circ\text{C}$ ,  $V_S = +5\text{V}$ , Gain = 100,  $R_L = 10\text{k}\Omega$  with external equivalent filter corner of 1kHz filters, unless otherwise noted.



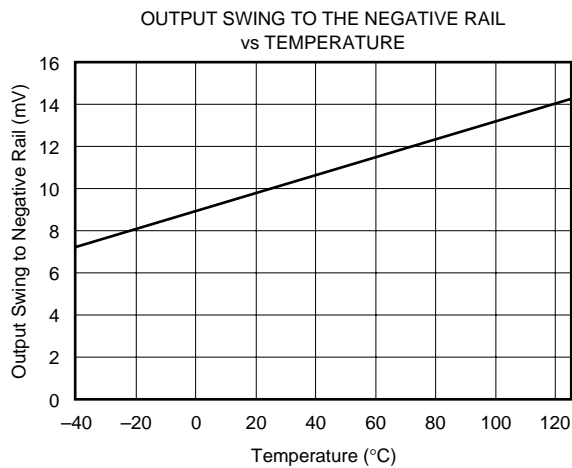
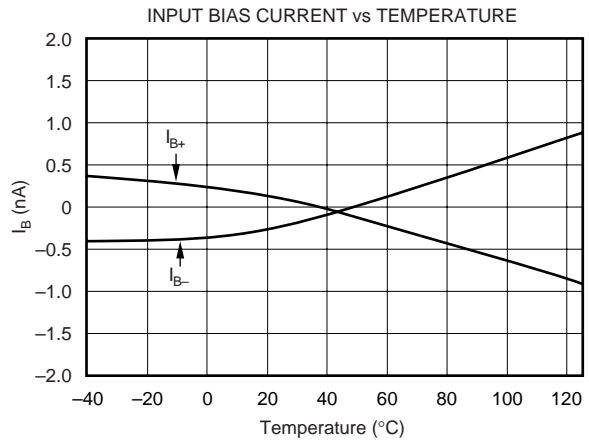
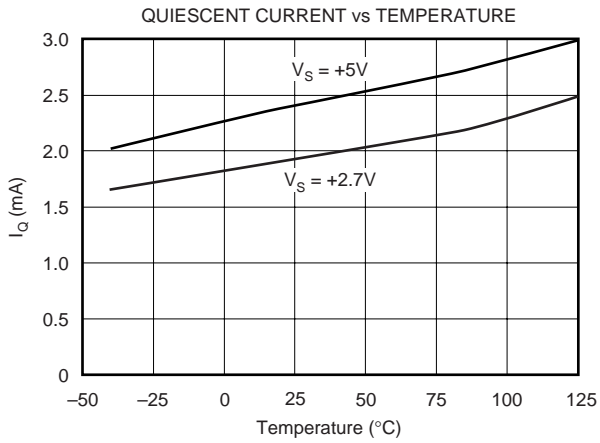
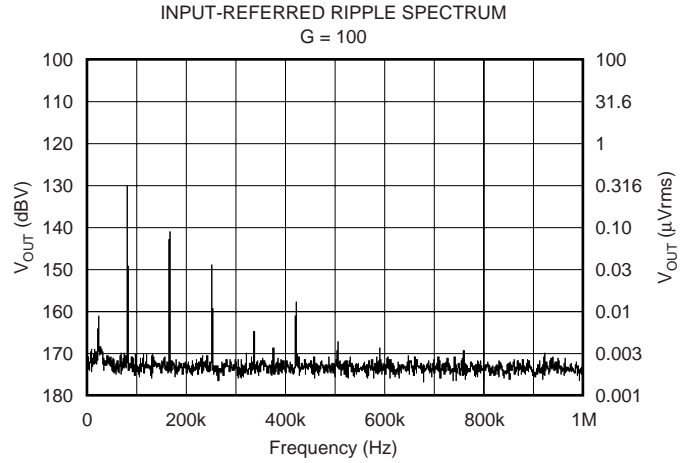
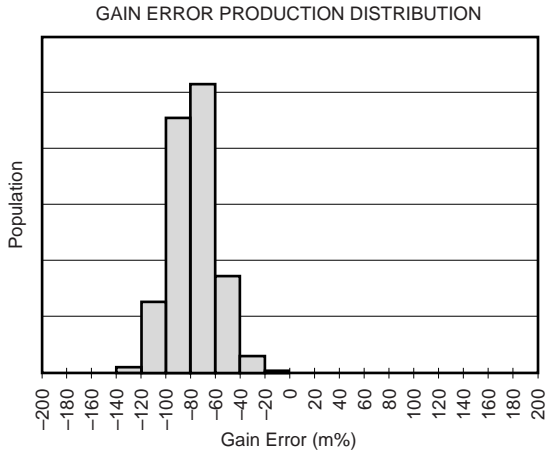
# TYPICAL CHARACTERISTICS (Cont.)

At  $T_A = 25^\circ\text{C}$ ,  $V_S = +5\text{V}$ , Gain = 100,  $R_L = 10\text{k}\Omega$  with external equivalent filter corner of 1kHz filters, unless otherwise noted.



# TYPICAL CHARACTERISTICS (Cont.)

At  $T_A = 25^\circ\text{C}$ ,  $V_S = +5\text{V}$ , Gain = 100,  $R_L = 10\text{k}\Omega$  with external equivalent filter corner of 1kHz filters, unless otherwise noted.





# APPLICATIONS INFORMATION

Figure 1 shows the basic connections required for operation of the INA337. A 0.1µF capacitor, placed close to and across the power-supply pins is strongly recommended for highest accuracy. R<sub>O</sub>C<sub>O</sub> is an output filter that minimizes auto-correction circuitry noise. This output filter may also serve as an anti-aliasing filter ahead of an Analog-to-Digital (A/D) converter. It is also optional based on desired precision.

The output reference terminal is taken at the low side of R<sub>2</sub> (I<sub>A</sub>COMMON).

The INA337 uses a unique internal topology to achieve excellent common-mode rejection (CMR). Unlike conventional instrumentation amplifiers, CMR is not affected by resistance in the reference connections. See "Inside the INA337" for further detail. To achieve best high-frequency CMR, minimize capacitance on pins 1 and 8.

## SETTING THE GAIN

The INA337 is a 2-stage amplifier with each stage gain set by R<sub>1</sub> and R<sub>2</sub>, respectively (see Figure 4, "Inside the INA337", for details.) Overall gain is described by the equation:

$$G = \frac{2R_2}{R_1} \quad (1)$$

The stability and temperature drift of the external gain-setting resistors will affect gain by an amount that can be directly inferred from the gain equation (1).

Resistor values for commonly used gains are shown in Figure 1. Gain-set resistor values for best performance are different for +5V single-supply and for ±2.5V dual-supply operation. Optimum value for R<sub>1</sub> can be calculated by:

$$R_1 = V_{IN, MAX}/12.5\mu A \quad (2)$$

where R<sub>1</sub> must be no less than 2kΩ.

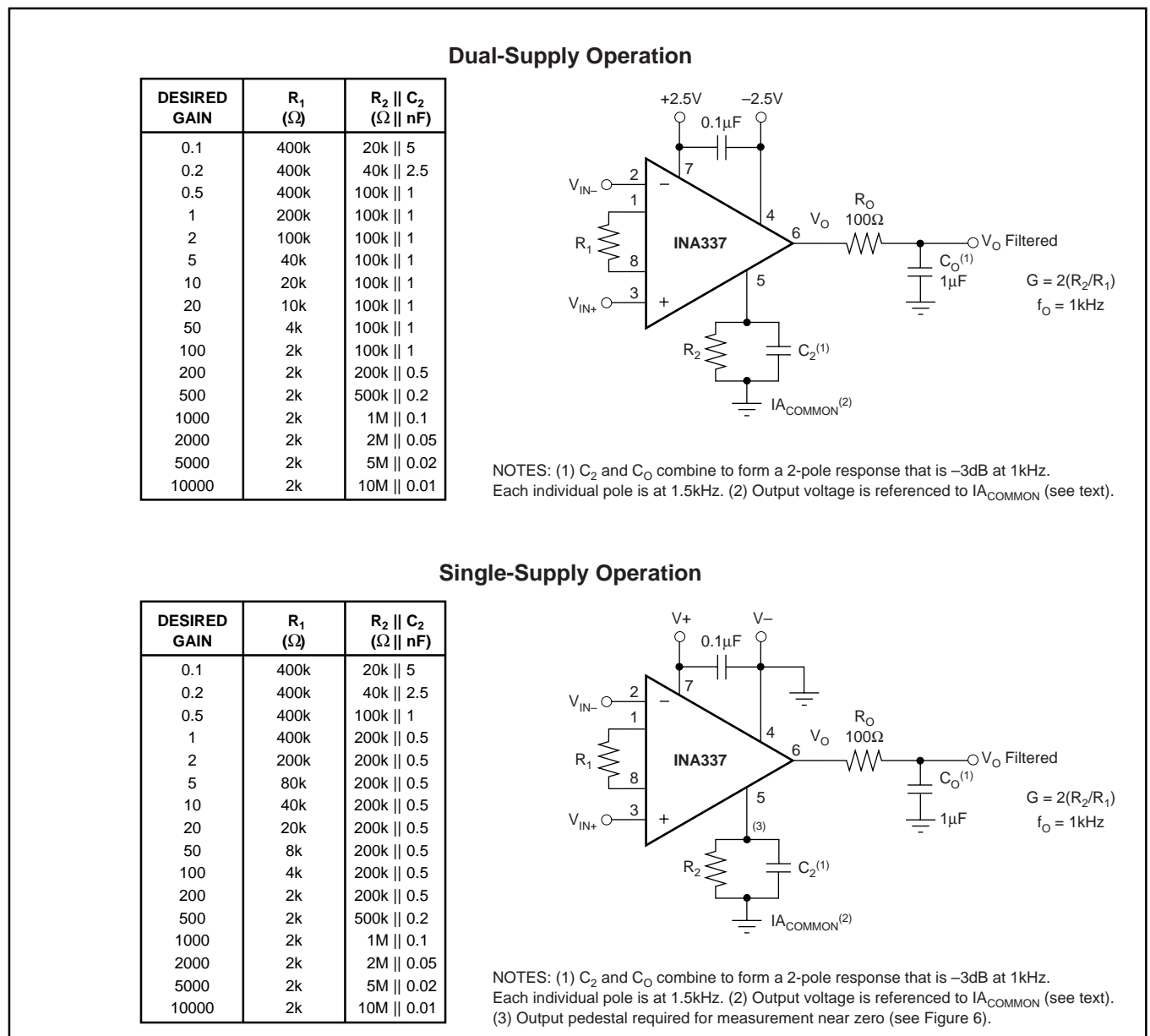


FIGURE 1. Basic Connections. NOTE: Connections for INA338 differ—see Pin Configuration for detail.

Following this design procedure for  $R_1$  produces the maximum possible input stage gain for best accuracy and lowest noise.

Circuit layout and supply bypassing can affect performance. Minimize the stray capacitance on pins 1 and 8. Use recommended supply bypassing, including a capacitor directly from pin 7 to pin 4 ( $V+$  to  $V-$ ), even with dual (split) power supplies (see Figure 1).

## DYNAMIC PERFORMANCE

The typical characteristic “Gain vs Frequency” shows that the INA337 has nearly constant bandwidth regardless of gain. This results from the bandwidth limiting from the recommended filters.

## NOISE PERFORMANCE

Internal auto-correction circuitry eliminates virtually all  $1/f$  noise (noise that increases at low frequency) in gains of 100 or greater. Noise performance is affected by gain-setting resistor values. Follow recommendations in the “Setting Gain” section for best performance.

Total noise is a combination of input stage noise and output stage noise. When referred to the input, the total mid-band noise is:

$$V_N = 33\text{nV}/\sqrt{\text{Hz}} + \frac{800\text{nV}/\sqrt{\text{Hz}}}{G} \quad (3)$$

The output noise has some  $1/f$  components that affect performance in gains less than 10. See typical characteristic “Input-Referred Voltage Noise vs Frequency.”

High-frequency noise is created by internal auto-correction circuitry and is highly dependent on the filter characteristics chosen. This may be the dominant source of noise visible when viewing the output on an oscilloscope. Low cutoff frequency filters will provide lowest noise. Figure 2 shows the typical noise performance as a function of cutoff frequency.

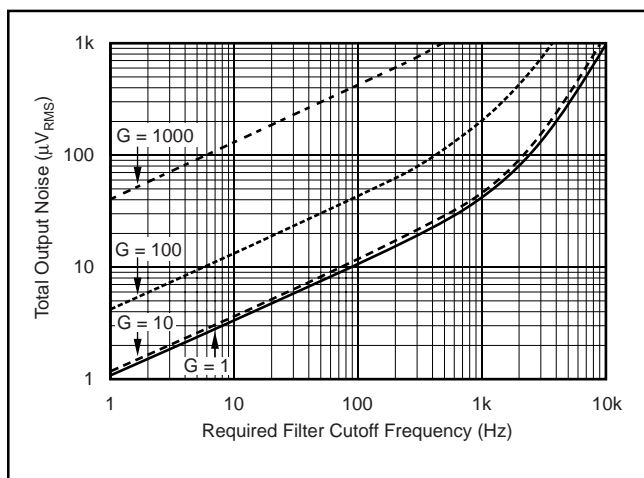


FIGURE 2. Total Output Noise vs Filter Cutoff Frequency.

Applications sensitive to the spectral characteristics of high-frequency noise may require consideration of the spurious frequencies generated by internal clocking circuitry. “Spurs” occur at approximately 90kHz and its harmonics (see typical characteristic “Input Referred Ripple”) which may be reduced by additional filtering below 1kHz.

Insufficient filtering at pin 5 can cause nonlinearity with large output voltage swings (very near the supply rails). Noise must be sufficiently filtered at pin 5 so that noise peaks do not “hit the rail” and change the average value of the signal. Figure 2 shows guidelines for filter cutoff frequency.

## HIGH-FREQUENCY NOISE

$C_2$  and  $C_O$  form filters to reduce internally generated auto-correction circuitry noise. Filter frequencies can be chosen to optimize the tradeoff between noise and frequency response of the application, as shown in Figure 2. The cutoff frequencies of the filters are generally set to the same frequency. Figure 2 shows the typical output noise for four gains as a function of the  $-3\text{dB}$  cutoff frequency of each filter response. Small signals may exhibit the addition of internally generated auto-correction circuitry noise at the output. This noise, combined with broadband noise, becomes most evident in higher gains with filters of wider bandwidth.

## INPUT BIAS CURRENT RETURN PATH

The input impedance of the INA337 is extremely high—approximately  $10^{10}\Omega$ . However, a path must be provided for the input bias current of both inputs. This input bias current is approximately  $\pm 0.2\text{nA}$ . High input impedance means that this input bias current changes very little with varying input voltage.

Input circuitry must provide a path for this input bias current for proper operation. Figure 3 shows provisions for an input bias current path in a thermocouple application. Without a bias current path, the inputs will float to an undefined potential and the output voltage may not be valid.

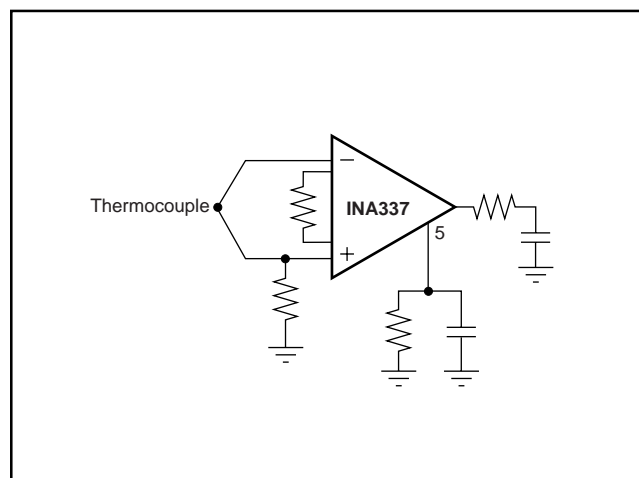


FIGURE 3. Providing Input Bias Current Return Path.

## INPUT AND OUTPUT VOLTAGE

The INA337 and INA338 feature nearly rail-to-rail input behavior, with the linear input voltage range extending from 0.25V above the negative rail to 0.1V above the positive rail. The output is able to swing to within 0.25V of the negative rail and 0.075V of the positive rail. See Typical Characteristics Curve “Output Swing to the Negative Rail” for additional detail.

## INPUT PROTECTION

The inputs of the INA337 are protected with internal diodes connected to the power-supply rails. These diodes will clamp the applied signal to prevent it from damaging the input circuitry. If the input signal voltage can exceed the power supplies by more than 0.5V, the input signal current should be limited to less than 10mA to protect the internal clamp diodes. This can generally be done with a series input resistor. Some signal sources are inherently current-limited and do not require limiting resistors.

## INSIDE THE INA337

The INA337 uses a new, unique internal circuit topology that provides near rail-to-rail input. Unlike other instrumentation amplifiers, it can linearly process inputs from 0.25V above the negative rail to 0.1V beyond the positive rail. Conventional instrumentation amplifier circuits cannot deliver such performance, even if rail-to-rail op amps are used.

The ability to reject common-mode signals is derived in most instrumentation amplifiers through a combination of amplifier CMR and accurately matched resistor ratios. The INA337 converts the input voltage to a current. Current-mode signal processing provides rejection of common-mode input voltage and power-supply variation without accurately matched resistors.

The topology of the INA337 avoids aliasing issues that appear in instrumentation amplifiers that use sampled data techniques.

A simplified diagram shows the basic circuit function. The differential input voltage,  $(V_{IN+}) - (V_{IN-})$  is applied across  $R_1$ . The signal-generated current through  $R_1$  comes from A1 and A2's output stages. A2 combines the current in  $R_1$  with a mirrored replica of the current from A1. The resulting current in A2's output and associated current mirror is two times the current in  $R_1$ . This current flows in (or out) of pin 5 into  $R_2$ . The resulting gain equation is:

$$G = \frac{2R_2}{R_1}$$

Amplifiers A1, A2 and their associated mirrors are powered from internal charge-pumps that provide voltage supplies that are beyond the positive negative supply. As a result, the voltage developed on  $R_2$  can actually swing 100mV above the positive power-supply rail. A3 provides a buffered output of the voltage on  $R_2$ . A3's input stage is also operated from the charge-pumped power supplies for true rail-to-rail operation.

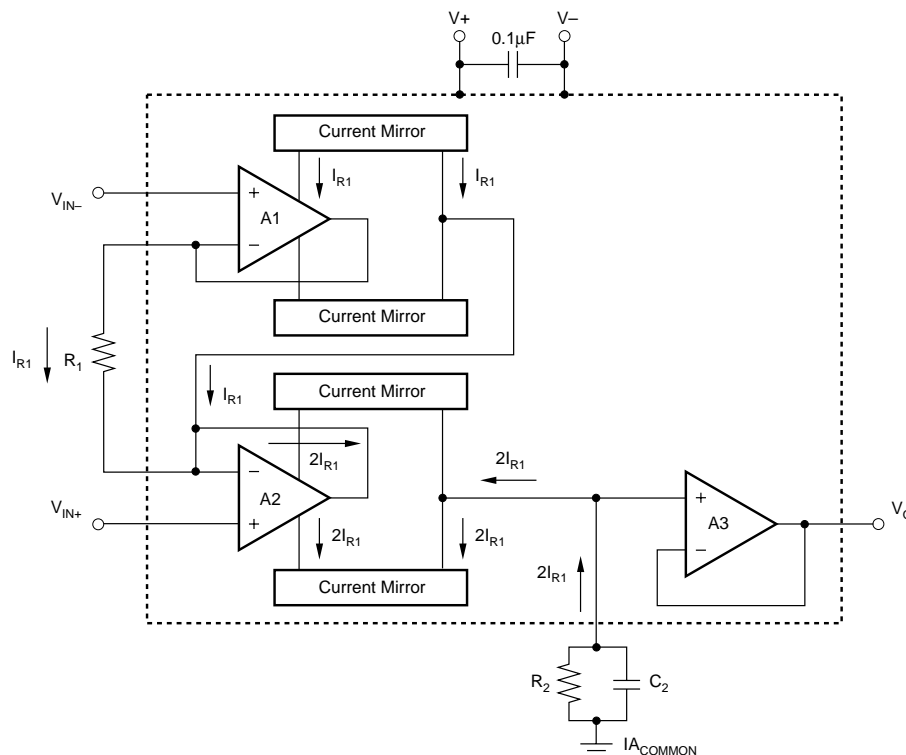


FIGURE 4. Simplified Circuit Diagram.

## FILTERING

Filtering can be adjusted through selection of  $R_2C_2$  and  $R_0C_0$  for the desired tradeoff of noise and bandwidth. Adjustment of these components will result in more or less ripple due to auto-correction circuitry noise and will also affect broadband noise. Filtering limits slew rate, settling time, and output overload recovery time.

It is generally desirable to keep the resistance of  $R_0$  relatively low to avoid DC gain error created by the subsequent stage loading. This may result in relatively high values for  $C_0$  to produce the desired filter response. The impedance of  $R_0C_0$  can be scaled higher to produce smaller capacitor values if the load impedance is very high.

Certain capacitor types greater than  $0.1\mu\text{F}$  may have dielectric absorption effects that can significantly increase settling time in high-accuracy applications (settling to 0.01%). Polypropylene, polystyrene, and polycarbonate types are generally good. Certain “high-K” ceramic types may produce slow settling “tails.” Settling time to 0.1% is not generally affected by high-K ceramic capacitors. Electrolytic types are not recommended for  $C_2$  and  $C_0$ .

## INA338 ENABLE FUNCTION

The INA338 can be enabled by applying a logic “High” voltage level to the Enable pin. Conversely, a logic “Low” voltage level will disable the amplifier, reducing its supply current from 2.4mA to typically  $2\mu\text{A}$ . For battery-operated applications, this feature may be used to greatly reduce the average current and extend battery life. This pin should be connected to a valid high or low voltage or driven, not left open circuit. The Enable pin can be modeled as a CMOS input gate as in Figure 5.

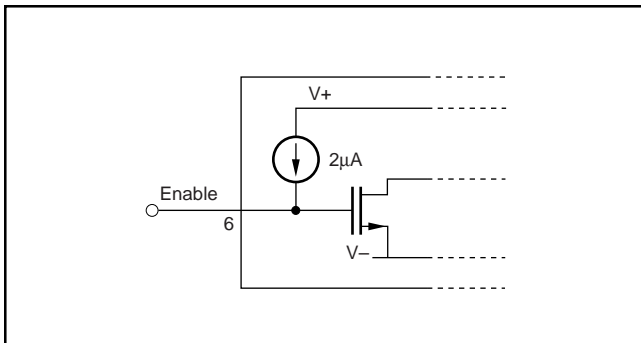


FIGURE 5. Enable Pin Model.

The enable time following shutdown is  $75\mu\text{s}$  plus the settling time due to filters (see Typical Characteristics, “Input Offset Voltage vs Warm-up Time”). Disable time is  $100\mu\text{s}$ . This allows the INA338 to be operated as a “gated” amplifier, or to have its output multiplexed onto a common output bus. When disabled, the output assumes a high-impedance state.

## INA338 PIN 5

Pin 5 of the INA338 should be connected to  $V_+$  to ensure proper operation.

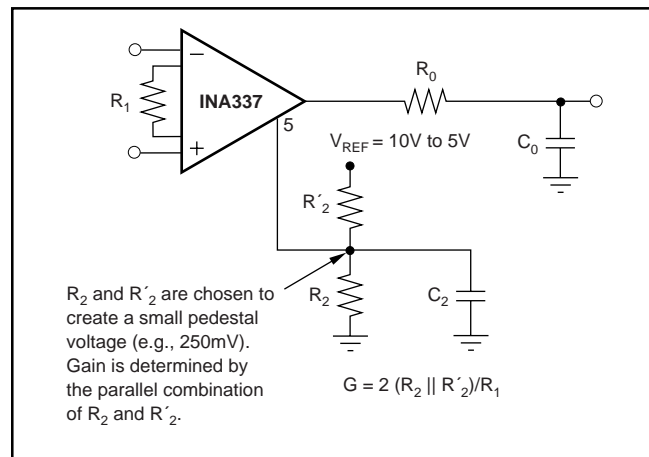


FIGURE 6. Output Range Pedestal.

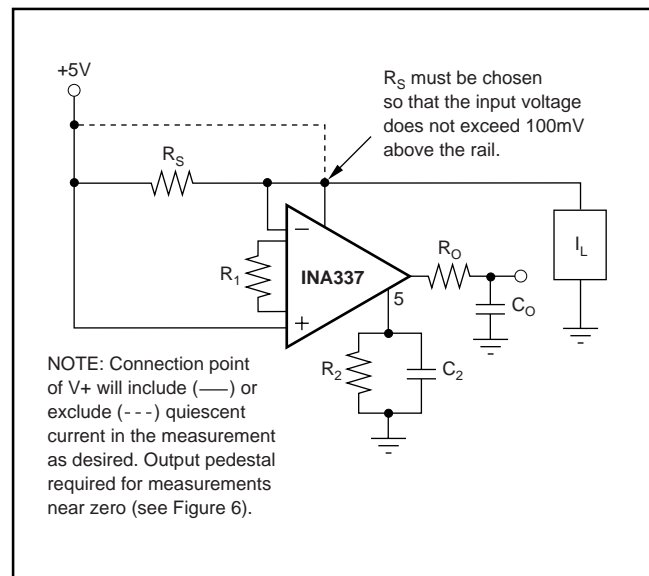


FIGURE 7. High-Side Shunt Measurement of Current Load.

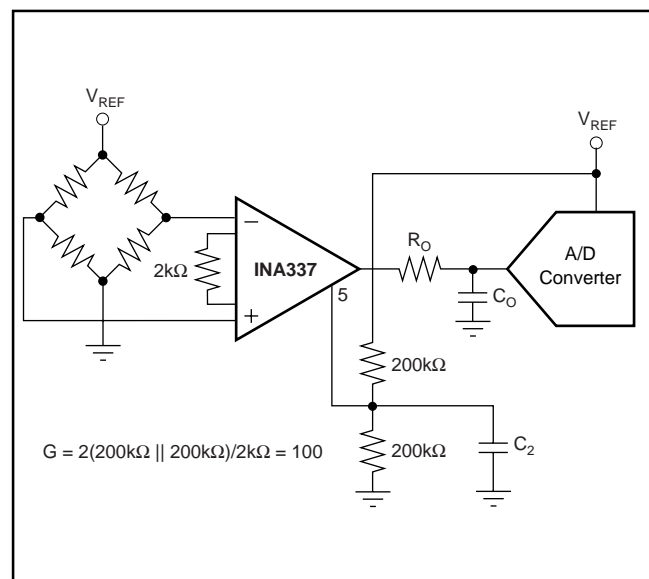
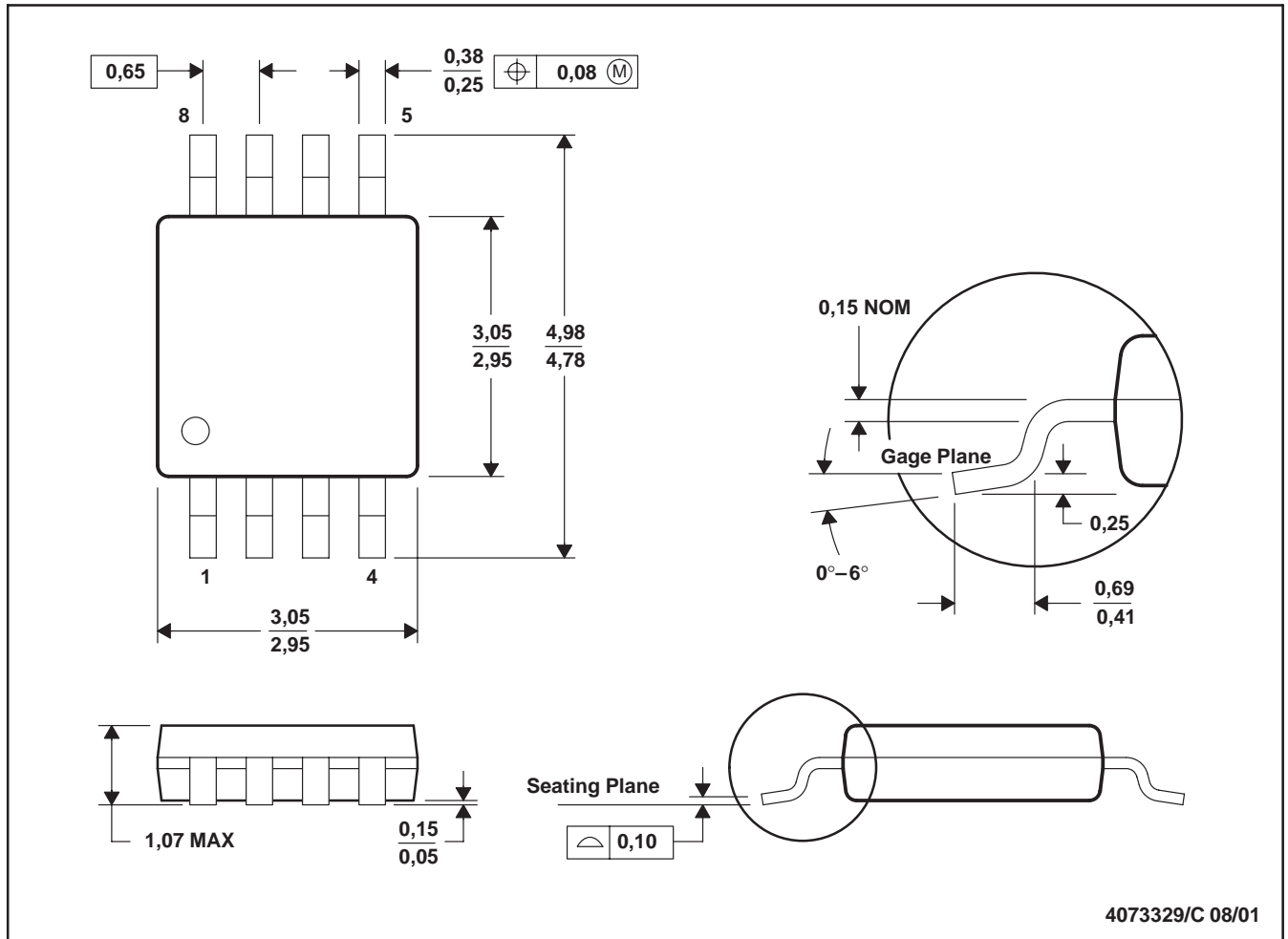


FIGURE 8. Output Referenced to  $V_{REF}/2$ .

DGK (R-PDSO-G8)

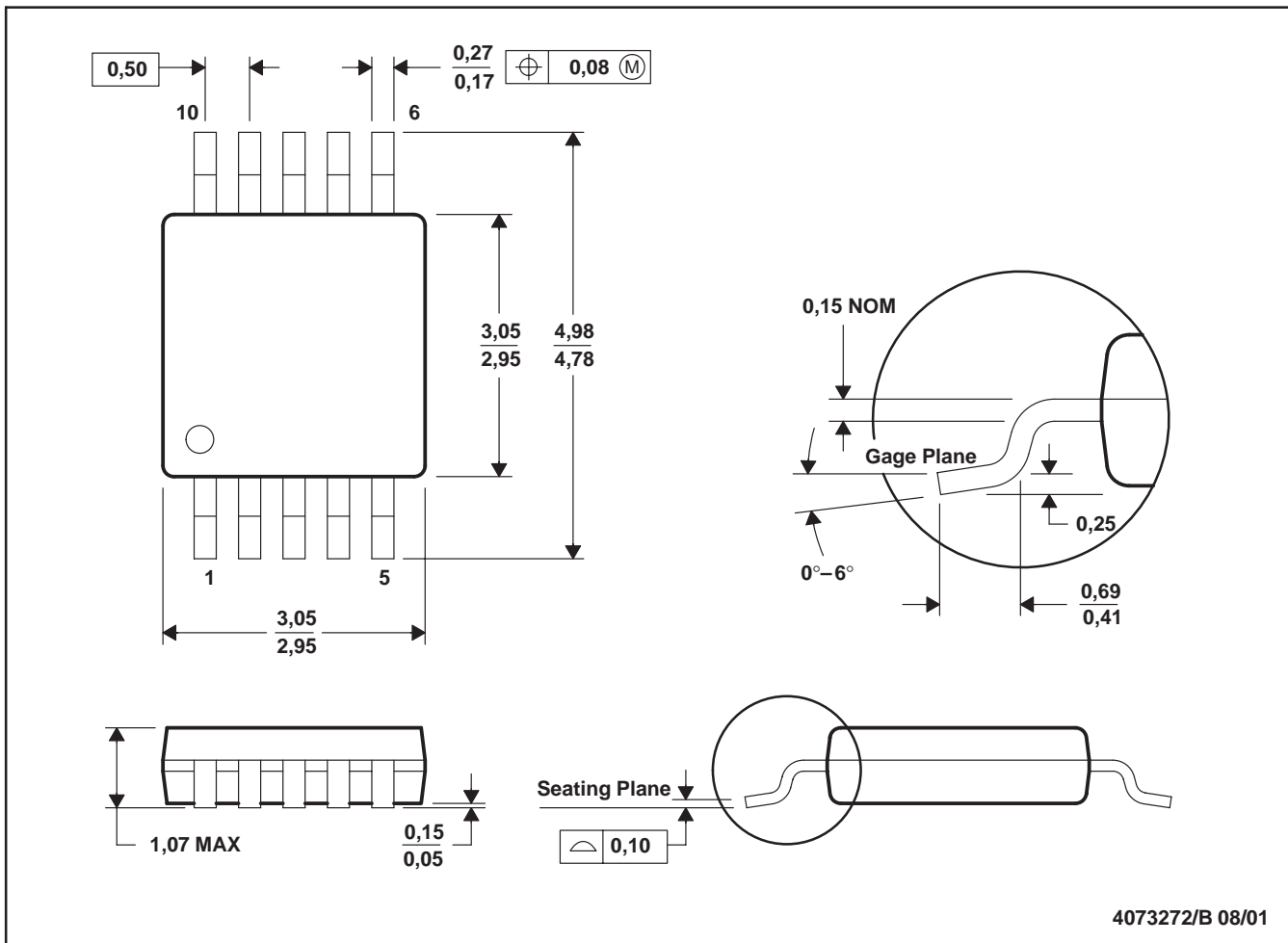
PLASTIC SMALL-OUTLINE PACKAGE



- NOTES: A. All linear dimensions are in millimeters.  
 B. This drawing is subject to change without notice.  
 C. Body dimensions do not include mold flash or protrusion.  
 D. Falls within JEDEC MO-187

DGS (S-PDSO-G10)

PLASTIC SMALL-OUTLINE PACKAGE



4073272/B 08/01

- NOTES: A. All linear dimensions are in millimeters.  
 B. This drawing is subject to change without notice.  
 C. Body dimensions do not include mold flash or protrusion.  
 A. Falls within JEDEC MO-187

**PACKAGING INFORMATION**

Orderable Device	Status <sup>(1)</sup>	Package Type	Package Drawing	Pins	Package Qty	Eco Plan <sup>(2)</sup>	Lead/Ball Finish	MSL Peak Temp <sup>(3)</sup>
INA337AIDGKR	ACTIVE	MSOP	DGK	8	2500	Green (RoHS & no Sb/Br)	CU NIPDAU	Level-2-260C-1 YEAR
INA337AIDGKRG4	ACTIVE	MSOP	DGK	8	2500	Green (RoHS & no Sb/Br)	CU NIPDAU	Level-2-260C-1 YEAR
INA337AIDGKT	ACTIVE	MSOP	DGK	8	250	Green (RoHS & no Sb/Br)	CU NIPDAU	Level-2-260C-1 YEAR
INA337AIDGKTG4	ACTIVE	MSOP	DGK	8	250	Green (RoHS & no Sb/Br)	CU NIPDAU	Level-2-260C-1 YEAR
INA338AIDGSR	ACTIVE	MSOP	DGS	10	2500	Green (RoHS & no Sb/Br)	CU NIPDAU	Level-2-260C-1 YEAR
INA338AIDGSRG4	ACTIVE	MSOP	DGS	10	2500	Green (RoHS & no Sb/Br)	CU NIPDAU	Level-2-260C-1 YEAR
INA338AIDGST	ACTIVE	MSOP	DGS	10	250	Green (RoHS & no Sb/Br)	CU NIPDAU	Level-2-260C-1 YEAR
INA338AIDGSTG4	ACTIVE	MSOP	DGS	10	250	Green (RoHS & no Sb/Br)	CU NIPDAU	Level-2-260C-1 YEAR

<sup>(1)</sup> The marketing status values are defined as follows:

**ACTIVE:** Product device recommended for new designs.

**LIFEBUY:** TI has announced that the device will be discontinued, and a lifetime-buy period is in effect.

**NRND:** Not recommended for new designs. Device is in production to support existing customers, but TI does not recommend using this part in a new design.

**PREVIEW:** Device has been announced but is not in production. Samples may or may not be available.

**OBSOLETE:** TI has discontinued the production of the device.

<sup>(2)</sup> Eco Plan - The planned eco-friendly classification: Pb-Free (RoHS), Pb-Free (RoHS Exempt), or Green (RoHS & no Sb/Br) - please check <http://www.ti.com/productcontent> for the latest availability information and additional product content details.

**TBD:** The Pb-Free/Green conversion plan has not been defined.

**Pb-Free (RoHS):** TI's terms "Lead-Free" or "Pb-Free" mean semiconductor products that are compatible with the current RoHS requirements for all 6 substances, including the requirement that lead not exceed 0.1% by weight in homogeneous materials. Where designed to be soldered at high temperatures, TI Pb-Free products are suitable for use in specified lead-free processes.

**Pb-Free (RoHS Exempt):** This component has a RoHS exemption for either 1) lead-based flip-chip solder bumps used between the die and package, or 2) lead-based die adhesive used between the die and leadframe. The component is otherwise considered Pb-Free (RoHS compatible) as defined above.

**Green (RoHS & no Sb/Br):** TI defines "Green" to mean Pb-Free (RoHS compatible), and free of Bromine (Br) and Antimony (Sb) based flame retardants (Br or Sb do not exceed 0.1% by weight in homogeneous material)

<sup>(3)</sup> MSL, Peak Temp. -- The Moisture Sensitivity Level rating according to the JEDEC industry standard classifications, and peak solder temperature.

**Important Information and Disclaimer:**The information provided on this page represents TI's knowledge and belief as of the date that it is provided. TI bases its knowledge and belief on information provided by third parties, and makes no representation or warranty as to the accuracy of such information. Efforts are underway to better integrate information from third parties. TI has taken and continues to take reasonable steps to provide representative and accurate information but may not have conducted destructive testing or chemical analysis on incoming materials and chemicals. TI and TI suppliers consider certain information to be proprietary, and thus CAS numbers and other limited information may not be available for release.

In no event shall TI's liability arising out of such information exceed the total purchase price of the TI part(s) at issue in this document sold by TI to Customer on an annual basis.

**TAPE AND REEL INFORMATION**



**QUADRANT ASSIGNMENTS FOR PIN 1 ORIENTATION IN TAPE**



\*All dimensions are nominal

Device	Package Type	Package Drawing	Pins	SPQ	Reel Diameter (mm)	Reel Width W1 (mm)	A0 (mm)	B0 (mm)	K0 (mm)	P1 (mm)	W (mm)	Pin1 Quadrant
INA337AIDGKR	MSOP	DGK	8	2500	330.0	12.4	5.3	3.4	1.4	8.0	12.0	Q1
INA337AIDGKT	MSOP	DGK	8	250	180.0	12.4	5.3	3.4	1.4	8.0	12.0	Q1
INA338AIDGSR	MSOP	DGS	10	2500	330.0	12.4	5.3	3.4	1.4	8.0	12.0	Q1
INA338AIDGST	MSOP	DGS	10	250	180.0	12.4	5.3	3.4	1.4	8.0	12.0	Q1



**TAPE AND REEL BOX DIMENSIONS**



\*All dimensions are nominal

Device	Package Type	Package Drawing	Pins	SPQ	Length (mm)	Width (mm)	Height (mm)
INA337AIDGKR	MSOP	DGK	8	2500	346.0	346.0	29.0
INA337AIDGKT	MSOP	DGK	8	250	184.0	184.0	50.0
INA338AIDGSR	MSOP	DGS	10	2500	346.0	346.0	29.0
INA338AIDGST	MSOP	DGS	10	250	190.5	212.7	31.8

## IMPORTANT NOTICE

Texas Instruments Incorporated and its subsidiaries (TI) reserve the right to make corrections, modifications, enhancements, improvements, and other changes to its products and services at any time and to discontinue any product or service without notice. Customers should obtain the latest relevant information before placing orders and should verify that such information is current and complete. All products are sold subject to TI's terms and conditions of sale supplied at the time of order acknowledgment.

TI warrants performance of its hardware products to the specifications applicable at the time of sale in accordance with TI's standard warranty. Testing and other quality control techniques are used to the extent TI deems necessary to support this warranty. Except where mandated by government requirements, testing of all parameters of each product is not necessarily performed.

TI assumes no liability for applications assistance or customer product design. Customers are responsible for their products and applications using TI components. To minimize the risks associated with customer products and applications, customers should provide adequate design and operating safeguards.

TI does not warrant or represent that any license, either express or implied, is granted under any TI patent right, copyright, mask work right, or other TI intellectual property right relating to any combination, machine, or process in which TI products or services are used. Information published by TI regarding third-party products or services does not constitute a license from TI to use such products or services or a warranty or endorsement thereof. Use of such information may require a license from a third party under the patents or other intellectual property of the third party, or a license from TI under the patents or other intellectual property of TI.

Reproduction of TI information in TI data books or data sheets is permissible only if reproduction is without alteration and is accompanied by all associated warranties, conditions, limitations, and notices. Reproduction of this information with alteration is an unfair and deceptive business practice. TI is not responsible or liable for such altered documentation. Information of third parties may be subject to additional restrictions.

Resale of TI products or services with statements different from or beyond the parameters stated by TI for that product or service voids all express and any implied warranties for the associated TI product or service and is an unfair and deceptive business practice. TI is not responsible or liable for any such statements.

TI products are not authorized for use in safety-critical applications (such as life support) where a failure of the TI product would reasonably be expected to cause severe personal injury or death, unless officers of the parties have executed an agreement specifically governing such use. Buyers represent that they have all necessary expertise in the safety and regulatory ramifications of their applications, and acknowledge and agree that they are solely responsible for all legal, regulatory and safety-related requirements concerning their products and any use of TI products in such safety-critical applications, notwithstanding any applications-related information or support that may be provided by TI. Further, Buyers must fully indemnify TI and its representatives against any damages arising out of the use of TI products in such safety-critical applications.

TI products are neither designed nor intended for use in military/aerospace applications or environments unless the TI products are specifically designated by TI as military-grade or "enhanced plastic." Only products designated by TI as military-grade meet military specifications. Buyers acknowledge and agree that any such use of TI products which TI has not designated as military-grade is solely at the Buyer's risk, and that they are solely responsible for compliance with all legal and regulatory requirements in connection with such use.

TI products are neither designed nor intended for use in automotive applications or environments unless the specific TI products are designated by TI as compliant with ISO/TS 16949 requirements. Buyers acknowledge and agree that, if they use any non-designated products in automotive applications, TI will not be responsible for any failure to meet such requirements.

Following are URLs where you can obtain information on other Texas Instruments products and application solutions:

### Products

Amplifiers	<a href="http://amplifier.ti.com">amplifier.ti.com</a>
Data Converters	<a href="http://dataconverter.ti.com">dataconverter.ti.com</a>
DSP	<a href="http://dsp.ti.com">dsp.ti.com</a>
Clocks and Timers	<a href="http://www.ti.com/clocks">www.ti.com/clocks</a>
Interface	<a href="http://interface.ti.com">interface.ti.com</a>
Logic	<a href="http://logic.ti.com">logic.ti.com</a>
Power Mgmt	<a href="http://power.ti.com">power.ti.com</a>
Microcontrollers	<a href="http://microcontroller.ti.com">microcontroller.ti.com</a>
RFID	<a href="http://www.ti-rfid.com">www.ti-rfid.com</a>
RF/IF and ZigBee® Solutions	<a href="http://www.ti.com/lprf">www.ti.com/lprf</a>

### Applications

Audio	<a href="http://www.ti.com/audio">www.ti.com/audio</a>
Automotive	<a href="http://www.ti.com/automotive">www.ti.com/automotive</a>
Broadband	<a href="http://www.ti.com/broadband">www.ti.com/broadband</a>
Digital Control	<a href="http://www.ti.com/digitalcontrol">www.ti.com/digitalcontrol</a>
Medical	<a href="http://www.ti.com/medical">www.ti.com/medical</a>
Military	<a href="http://www.ti.com/military">www.ti.com/military</a>
Optical Networking	<a href="http://www.ti.com/opticalnetwork">www.ti.com/opticalnetwork</a>
Security	<a href="http://www.ti.com/security">www.ti.com/security</a>
Telephony	<a href="http://www.ti.com/telephony">www.ti.com/telephony</a>
Video & Imaging	<a href="http://www.ti.com/video">www.ti.com/video</a>
Wireless	<a href="http://www.ti.com/wireless">www.ti.com/wireless</a>

Mailing Address: Texas Instruments, Post Office Box 655303, Dallas, Texas 75265  
Copyright © 2008, Texas Instruments Incorporated